

Stand-on platform for flexible operation

ProTrac for traction and stability in all situations

Sensitive lifting/lowering through Proportional Hydraulics

Electric tiller steering (optional) for effortless steering



ERC 212/214/216

Electric pedestrian operated stacker (1200/1400/1600 kg)

The Jungheinrich ERC 212/214/216 is a combination of manoeuvrable pedestrian stacker and fast, comfortable stand-on truck.

As a pedestrian stacker, the ERC provides:

- Excellent visibility through the slender mast,
- Comfortable operation of lifting/lowering buttons from the tiller head,
- Depositing in racking locations up to 5350 mm (ERC 214),
- Safe 4-point wheel traction during stacking and retrieval through hydraulic locking of support wheels,
- Sensitive lifting and lowering speed control through Jungheinrich Proportional Hy-

draulics – e.g. for precise and gentle depositing of the load in the racking.

Should space be an issue during stacking or, for example, during load pick-up in lorries, the operator stand-on platform and side guards are simply folded away and the ERC is transformed back into a space-saving pedestrian truck. The low height of the stand-on platform ensures effortless and fast mounting and dismounting.

As a stand-on truck, the ERC provides:

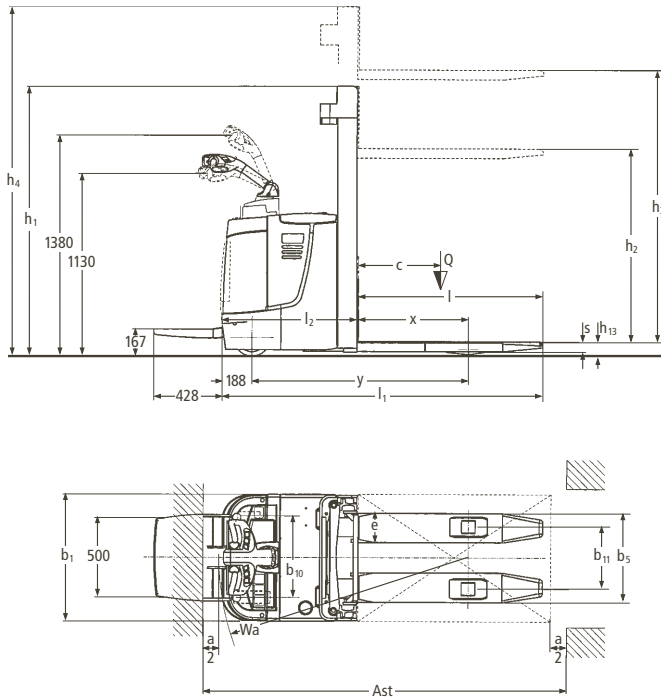
- Economically efficient goods throughput/transport over longer distances,

- Excellent operator comfort and ergonomics through cushioned stand-on platform,
- Safe traction also on uneven floors through “ProTrac”,
- Easy handling/control through electric steering (optional).

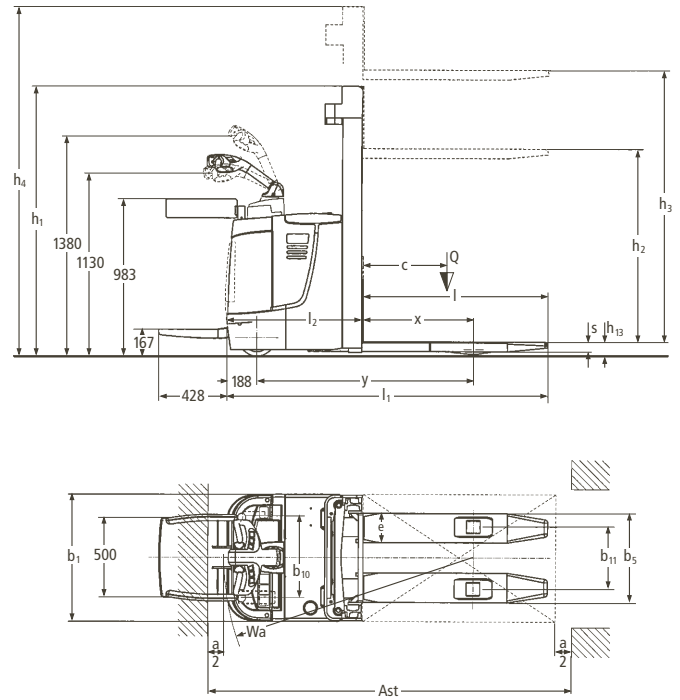
Regardless of application the truck is available with battery capacities up to 375 Ah and the option of sideways battery exit for multi-shift operation.

ERC 212/214/216

ERC 212



ERC 214/216



Standard mast types (mm)								
Mast types	Closed mast height	Free lift	Lift height	Extended mast height	Closed mast height	Free lift	Lift height	Extended mast height
	h_1	h_2	h_3	h_4	h_1	h_2	h_3	h_4
ERC 212/214				ERC 216				
Two-stage ZT	1750 ¹⁾	100	2500	2977	1750 ¹⁾	100	2400	2927
	1850 ¹⁾	100	2700	3177	1850 ¹⁾	100	2600	3127
	1950 ¹⁾	100	2900	3377	1950 ¹⁾	100	2800	3327
	2100 ¹⁾	100	3200	3677	2100 ¹⁾	100	3100	3627
	2300 ¹⁾	100	3600	4077	2300 ¹⁾	100	3500	4027
	—	—	—	—	2450 ¹⁾	100	3800	4327
	2550 ¹⁾	100	4100	4577	2550 ¹⁾	100	4000	4527
2650 ¹⁾	100	4300	4777	2650 ¹⁾	100	4200	4727	
Two-stage ZZ	1700	1223	2500	2977	1700	1173	2400	2927
	1900	1423	2900	3377	1900	1373	2800	3327
	2050	1573	3200	3677	2050	1523	3100	3627
	2250	1773	3600	4077	2250	1723	3500	4027
	2500	2023	4100	4577	2500	1973	4000	4527
	2600	2123	4300	4777	2600	2073	4200	4727
Three-stage DZ	1830	1356	4090	4565	1830	1306	3990	4515
	1900	1426	4300	4775	1900	1376	4200	4725
	2030 ²⁾	1556	4700	5175	2030	1506	4600	5125
	2250 ²⁾	1776	5350	5825	2250	1726	5250	5775

1) Closed mast height h_1 stated for 100 mm free lift

2) Only ERC 214

Technical Data in line with VDI 2198 as at: 04/2008

Identification	1.1	Manufacturer (abbreviation)		Jungheinrich	Jungheinrich	Jungheinrich	1.1
	1.2	Manufacturer's type designation		ERC 212	ERC 214	ERC 216	1.2
	1.3	Drive		electric	electric	electric	1.3
	1.4	Type of operation		pedestrian	pedestrian	pedestrian	1.4
	1.5	Load capacity/rated load	Q (t)	1.2	1.4	1.6	1.5
	1.6	Load centre distance	c (mm)	600	600	600	1.6
	1.8	Load distance, centre of drive axle to fork	x (mm)	689 ¹⁾	689 ¹⁾	689 ¹⁾	1.8
	1.9	Wheelbase	y (mm)	1357	1357	1357	1.9
	Weights	2.1	Service weight incl. battery (see line 6.5)	kg	1220	1230	1230
2.2		Axle loading, laden front/rear	kg	930/1490	940/1690	950/1880	2.2
2.3		Axle loading, unladen front/rear	kg	880/340	890/340	890/340	2.3
Wheels, Chassis	3.1	Tyres		Vulkollan®	Vulkollan®	Vulkollan®	3.1
	3.2	Tyre size, front		230 x 70	230 x 70	230 x 70	3.2
	3.3	Tyre size, rear		85 x 110 ³⁾	85 x 110 ³⁾	85 x 110 ³⁾	3.3
	3.4	Additional wheels (dimensions)		140 x 54	140 x 54	140 x 54	3.4
	3.5	Wheels, number front/rear (x = driven wheels)		1x + 1/2	1x + 1/2	1x + 1/2	3.5
	3.6	Track width, front	b ₁₀ (mm)	513	513	513	3.6
	3.7	Track width, rear	b ₁₁ (mm)	390	390	390	3.7
Basic Dimensions	4.2	Lowered mast height	h ₁ (mm)	1750	1750	1750	4.2
	4.3	Free lift	h ₂ (mm)	100	100	100	4.3
	4.4	Lift height	h ₃ (mm)	2500	2500	2400	4.4
	4.5	Extended mast height	h ₄ (mm)	2981	2981	2931	4.5
	4.9	Height of tiller in drive position min./max.	h ₁₄ (mm)	1130/1380	1130/1380	1130/1380	4.9
	4.15	Lowered height	h ₁₃ (mm)	90	90	90	4.15
	4.19	Overall length	l ₁ (mm)	2006 ²⁾	2006 ²⁾	2006 ²⁾	4.19
	4.20	Length to face of forks	l ₂ (mm)	856 ²⁾	856 ²⁾	856 ²⁾	4.20
	4.21	Overall width	b ₁ /b ₂ (mm)	800	800	800	4.21
	4.22	Fork dimensions	s/e/l (mm)	56/185/1150	56/185/1150	61/185/1150	4.22
	4.25	Width over forks	b ₅ (mm)	570	570	570	4.25
	4.32	Ground clearance, centre of wheelbase	m ₂ (mm)	30	30	30	4.32
	4.33	Aisle width for pallets 1000 x 1200 crossways	Ast (mm)	2441 ²⁾	2441 ²⁾	2441 ²⁾	4.33
4.34	Aisle width for pallets 800 x 1200 lengthways	Ast (mm)	2414 ²⁾	2414 ²⁾	2414 ²⁾	4.34	
4.35	Turning radius	Wa (mm)	1565	1565	1565	4.35	
Performance Data	5.1	Travel speed, laden/unladen	km/h	6.0/6.0	7.5/8.5	7.0/8.5	5.1
	5.2	Lift speed, laden/unladen	m/s	0.19/0.26	0.18/0.26	0.17/0.26	5.2
	5.3	Lowering speed, laden/unladen	m/s	0.43/0.43	0.43/0.43	0.43/0.43	5.3
	5.8	Max. gradient performance, laden/unladen	%	9/16	8/16	7/16	5.8
	5.10	Service brake		electromagnetic	electromagnetic	electromagnetic	5.10
Electric Engine	6.1	Drive motor rating S ₂ 60 min.	kW	2	2	2	6.1
	6.2	Lift motor rating at S ₃ 10 %	kW	3	3	3	6.2
	6.3	Battery acc. to DIN 43531/35/36 A, B, C, no		B 3EPzS	B 3EPzS	B 3EPzS	6.3
	6.4	Battery voltage, nominal capacity K ₅	V/Ah	24/375	24/375	24/375	6.4
	6.5	Battery weight	kg	288	288	288	6.5
	6.6	Energy consumption acc. to VDI cycle	kWh/h	1.52	1.66	1.83	6.6
Others	8.1	Type of drive control		impulse	impulse	impulse	8.1
	8.4	Sound level at driver's ear acc. to EN 12 053	dB (A)	68	68	68	8.4

1) DZ - 35 mm; ERC 216 = DZ - 43 mm
 2) DZ + 35 mm; ERC 216 = DZ + 43 mm
 3) Tandem: 85 x 85

Make use of the advantages



ERC 212 with stand-on platform folded up/down

Flexible operation

Various platform types provide different types of operation:

Type 1:

folding stand-on platform without side guards (ERC 212)

- Pedestrian operation.
- Maximum travel speed (6 km/h) with folded down stand-on platform.
- Reduced travel speed (4.4 km/h) with stand-on platform folded up.

Type 2:

folding stand-on platform with side guards (ERC 214/216)

- Pedestrian/stand-on operation.
- Reduced travel speed (6 km/h) with folded in side supports.
- Reduced travel speed (4.4 km/h) in pedestrian operation.

Powerful drive motor and "intelligent" controls

Advanced drive technology with powerful 2 kW shunt-wound drive motor (KB 60 min) and control electronics (SpeedControl) ensure safe travel characteristics. Adjustable to every application:

- The required travel speed is maintained in every situation – even whilst ascending or descending gradients.

- Individually adjustable travel parameters facilitate optimum adjustment to every requirement.
- Energy reclamation through deceleration.
- 2-year warranty on drive motor.

Comfortable stacking and retrieval

All lifting and lowering functions are comfortably controlled from the tiller head without the need to turn round. Here the Jungheinrich Proportional Hydraulics facilitate sensitive control of lifting and lowering speed – essential for precise and gentle depositing of loads in the racking or exact positioning of the load for stacking in. In confined spaces, stand-on platform and side guards are simply folded in and the ERC is used in pedestrian mode. The low height of the platform ensures easy mounting/dismounting.



Retrieval with the ERC

Optimum traction at any time

Jungheinrich ProTrac optimises the traction on the drive wheel. A spring cushioned system in the support wheel prevents the drive wheel from skidding on uneven floors. ProTrac provides stability on all four wheels during stacking and retrieval through hydraulic locking of the support wheel from 1800 mm lift height.



Buttons for sensitive lifting/lowering and horn

Comfortable and safe operation

- The electric tiller steering (optional) reduces tiller movement during straight travel. The advantage: directional stability during straight travel. Also, low steering forces ensure fatigue-free operation.
- The sprung stand-on platform absorbs even severe floor unevenness and thus relieves any strain on the operator's back.

Long operating times

Battery capacities up to 375 Ah ensure long operating times:

- 3 EPzS 240/270/375 Ah.
- Sideways battery removal, e.g. for multi-shift operation (optional).
- Integrated charger (24 V/30 A) for wet and maintenance-free batteries for effortless charging at any 230 V mains socket (optional).

Additional equipment

- "CanDis" and access entitlement "CanCode".
- Cold store version.
- Vertical load guard.

Jungheinrich UK Ltd.

Head Office:

Sherbourne House · Sherbourne Drive
Tilbrook · Milton Keynes MK7 8HX
Phone 01908 363100
Fax 01908 363180

info@jungheinrich.co.uk
www.jungheinrich.co.uk

Jungheinrich AG
ISO 9001, ISO 14001
Certification of Quality and
Environment Management.



Jungheinrich trucks
conform to the European
Safety Requirements.



JUNGHEINRICH
Well worthwhile