

Robust sturdy design
for the toughest duties
with heavy loads

Outstanding driving stability

Multi-shift operation
facilitated by sideways
battery exit (optional)



EJE 220/225/230/235

Electric pedestrian pallet truck (2,000/2,500/3,000/3,500 kg)

The EJE series 2 pallet trucks are extremely powerful: They are ideal for use when things are very busy during peak times when maximum throughput is required: For loading and offloading of HGVs on the ramp. In hard continuous operations with heavy loads. For 2-shift or even 3-shift operation. Under harsh operating conditions. Here, the advantages of the EJE really come into play:

- Powerful, innovative 1.6 kW 3-phase AC drive motor for maximum throughput.
- High residual capacity and powerful lift motor.

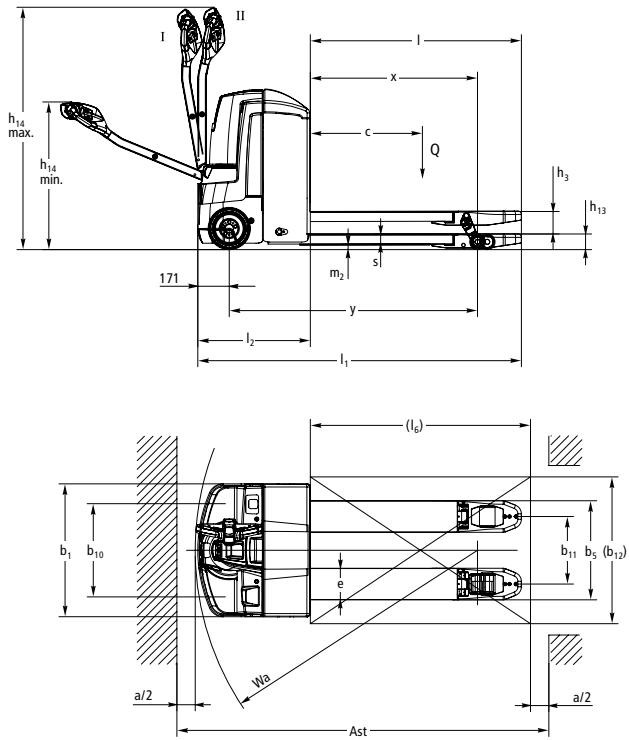
- Extremely durable frame for very high operational demands.
- State-of-the-art control electronics for perfect handling.
- Excellent energy management for low operating costs.
- Large batteries for long operating times.

It also offers ergonomic advantages: The low-mounted, long tiller ensures safe operation by maintaining adequate distance between the operator and truck. The crawl speed button assists in extremely confined areas. It allows the truck to travel at an automatically reduced speed with the tiller upright. The

EJE can be equipped with batteries up to 375 Ah. In combination with state-of-the-art and economical 3-phase AC technology, longer operating times are achieved than with conventional technology. With the option of lateral battery exchange, multishift operation up to 24 hours is easily achievable.

The re-designed multifunctional tiller arm is full of innovations: Sealed sensor system (IP 65) for maximum breakdown protection, rocker switches with contactless electronics for perfect operation in any tiller position, ergonomically arranged switches.

EJE 220/225/230/235



I = Travel range; II = Crawl speed range



Technical data in line with VDI 2198

			Jungheinrich						
			EJE 220	EJE 225	EJE 230	EJE 235			
Identification	1.1	Manufacturer (short form)							
	1.2	Model							
	1.3	Drive	Electrics						
	1.4	Manual, pedestrian, stand-on, seated, order picker operation	pedestrian						
	1.5	Load capacity/rated load	Q	t	2	2.5	3	3.5	
	1.6	Load centre distance	c	mm	600				
	1.8	Load distance	x	mm	911 ³⁾				
	1.9	Wheelbase	y	mm	1353 ³⁾	1353 ¹⁾	1353	1353 ³⁾	
	Weights	2.1.1	Net weight incl. battery (see row 6.5)			kg	540	647	580
2.2		Axle load, w. load, front / rear			kg	876 / 1664	1034 / 2113	1154 / 2426	1034 / 2113
2.3		Axle load, w.o. load, front / rear			kg	423 / 117	497 / 150	457 / 123	497 / 150
Wheels / chassis	3.1	Tyres				PU/Vulkollan	PU/Vulkollan	PU/Vulkollan	PU / VU
	3.2	Tyre size, at front			mm	Ø 230 x 70			
	3.3	Tyre size, at rear			mm	Ø 85 x 110	Ø 85 x 110	2x Ø 85 x 85	2x Ø 85 x 85
	3.4	Additional wheels (dimensions)			mm	Ø 100 x 40			
	3.5	Wheels, number front/rear (x = driven wheels)				1x +2			
	3.6	Track width, front	b ₁₀	mm	508				
	3.7	Track width, rear	b ₁₁	mm	368				
Basic dimensions	4.4	Lift			h ₃	mm			
	4.9	Height of tiller in drive position min. / max.			h ₁₄	mm			
	4.15	Lowered height			h ₁₃	85	85	85	92
	4.19	Overall length			l ₁	mm			
	4.20	Length incl. back of forks			l ₂	613	613 / 685	613	613
	4.21	Total width			b ₁ /b ₂	mm			
	4.22	Fork dimensions			s/e/l	mm			
	4.25	Width over forks			b ₅	mm			
	4.32	Floor clearance centre wheelbase			m ₂	mm			
	4.33	Aisle width for pallets 1000 x 1200 sideways			Ast	1977 ²⁾	1977 / 2049 ²⁾	1977	1977 ²⁾
4.34	Aisle width for pallets 800 x 1200 lengthways			Ast	2027 ¹⁾	2027 / 2099 ¹⁾	2027	2027 ¹⁾	
4.35	Turning radius			W _a	1538 ³⁾	1538 ³⁾	1538	1538 ³⁾	
Performance data	5.1	Travel speed, w. / w.o. load			km/h	6 / 6			
	5.2	Lift speed, w. / w.o. load			m/s	0.04 / 0.06	0.03 / 0.06	0.3 / 0.6	0.03 / 0.06
	5.3	Lower speed, w. / w.o. load			m/s	0.05 / 0.05	0.05 / 0.05	0.5 / 0.5	0.05 / 0.05
	5.8	Max. gradeability, laden/unladen			%	10 / 20	8 / 20	6 / 20	5 / 20
	5.10	Service brake				electric			
Electrics	6.1	Drive motor rating S2 60 min.			kW	1.6			
	6.2	Lift motor rating at S3 10%			kW	1.5			
	6.3	Battery according to DIN 43531/35/36 A,B,C, no				B			
	6.4	Battery voltage/nominal capacity K5			V/Ah	24 / 250			
	6.5	Battery weight			kg	220			
Misc.	8.1	Type of drive control				AC SpeedControl			
	8.4	Sound pressure level at operator's ear according to EN 12053			dB (A)	70			

¹⁾ Diagonal according to VDI: + 204 mm

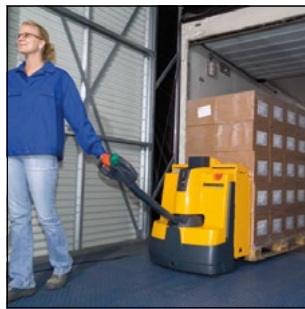
²⁾ Diagonal according to VDI: + 366 mm

³⁾ Load section lowered: 55 mm

Benefit from the advantages



Application in block stored warehouse



The EJE unloading a lorry



Flexible universal stacker

Innovative 3-phase AC technology

Jungheinrich three-phase AC motors offer higher performance while simultaneously reducing running costs:

- High level of efficiency with excellent energy management.
- Strong acceleration even at maximum load.
- Quick change in direction of travel without 'having to think'.
- No carbon brushes - maintenance-free drive motor.
- Two-year warranty on the drive motor.

Robust construction for the hardest applications

- 8 mm high quality steel apron on the front of the chassis.
- Reinforced fork construction for high carrying capacity.
- Suspended drive transmission compensates for shocks even under heavy load conditions (only EJE 235).

Optimum cornering

Sprung and cushioned support wheels – linked via the ProTraLink torsion bar

– distribute equalising forces dependent on travel conditions i.e. evenly across all wheels during straight-line travel; concentrated on the outer support wheel during cornering. Thanks to level equalisation, ProTraLink also ensures minimum support wheel wear when approaching ramps at an angle: Both support wheels are linked by a mechanical connection which keeps them at the same height. The lower support wheel does not touch at any point and does not become damaged.

Ergonomic operation

The new generation multifunction tiller arm head meets the ergonomic demands of the operator.

- Clearly colour coded buttons with abrasion resistant symbols for intuitive control.
- A grip with close affinity to the hand posture of the operator.
- Crawl button on the underside of the tiller arm control head for easy operation when the tiller is in the upright position.

- Rocker switches for comfortable operation in every tiller arm position.
- The tiller also has excellent protection against breakdown with contactless sensor technology, protected according to IP 65.

Long operating times

Battery capacities to 375 Ah ensure long operating times.

- Short version 2 EPzS 180 / 250 Ah.
- Long version 3 EPzS 375 Ah (only EJE 225).
- Integrated battery charger (24 V/30 A for lead-acid and maintenance free batteries) for simple charging of the battery from any mains socket (optional).
- Side battery changing for multi-shift applications (optional).

Additional equipment

- Cold store design.
- Entry rollers.
- Load protection guard.

Jungheinrich
Vertrieb Deutschland AG & Co. KG

Am Stadtrand 35
D-22047 Hamburg
Telephone +49 40 6948-0
Telefax +49 40 6948-1777

info@jungheinrich.com
www.jungheinrich.com

The German production facilities in Norderstedt and Moosburg are certified. **ISO 9001**
ISO 14001

Jungheinrich fork lift trucks meet European safety requirements.



JUNGHEINRICH
Machines. Ideas. Solutions.